

# Inline Check Valve

## cim30.1

FIPT x FIPT • **cim30A.1** Brass Inline Check Valve with Filtering "Foot"



**cim30.1**

**cim30A.1**

### Applications:

The CIM 30.1 Inline Check Valve is manufactured in accordance with EN ISO 9002 and is designed for vertical, horizontal or angled installation for use in domestic and commercial plumbing, sanitary, autoclaves, pump and compressed air systems.

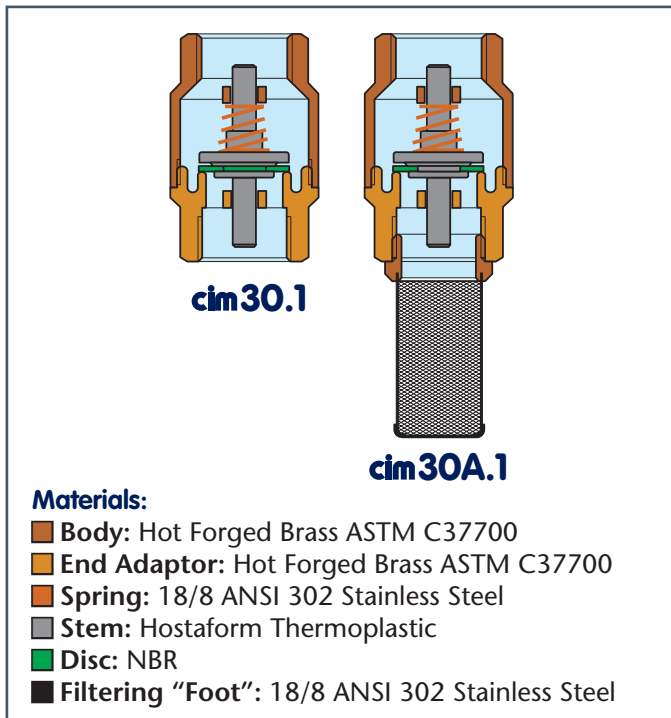
### Features:

The CIM 30.1 Inline Check Valve utilizes a compact noiseless design which provides a low pressure drop and reduced water-hammer. Built with a double stem guide to facilitate trouble free operation and a stainless steel spring-loaded Hostaform thermoplastic free rotating stem that opens at .36 PSI. The CIM 30.1 will provide a full flow area equal to the nominal size, and can be installed vertically, horizontally or at an angle in a pipeline to accommodate flow in one direction.

The CIM 30A.1 Foot Valve utilizes our 30.1 Inline Check Valve combined with an 18/8 ANSI 302 stainless steel filtering "Foot".

### Threading:

NPT threads ANSI B1.20.1.



**cim30.1**

**cim30A.1**

### Materials:

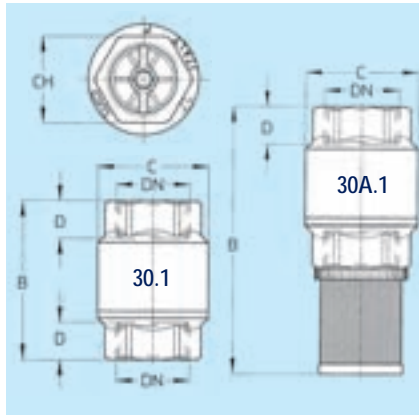
- **Body:** Hot Forged Brass ASTM C37700
- **End Adaptor:** Hot Forged Brass ASTM C37700
- **Spring:** 18/8 ANSI 302 Stainless Steel
- **Stem:** Hostaform Thermoplastic
- **Disc:** NBR
- **Filtering "Foot":** 18/8 ANSI 302 Stainless Steel

Size	Fast Order No.		Technical ID No.	
	CIM30.1	30A-03	CIM30.1	CIM30A.1
3/8"	30-03	30A-03	CIM30-A03ICV	CIM30A-A03-FV
1/2"	30-04	30A-04	CIM30-A04ICV	CIM30A-A04-FV
3/4"	30-06	30A-06	CIM30-A06ICV	CIM30A-A06-FV
1"	30-07	30A-07	CIM30-A07ICV	CIM30A-A07-FV
1-1/4"	30-08	30A-08	CIM30-A08ICV	CIM30A-A08-FV
1-1/2"	30-09	30A-09	CIM30-A09ICV	CIM30A-A09-FV
2"	30-10	30A-10	CIM30-A10ICV	CIM30A-A10-FV
2-1/2"	30-11	30A-11	CIM30-A11ICV	CIM30A-A11-FV
3"	30-12	30A-12	CIM30-A12ICV	CIM30A-A12-FV
4"	30-14	30A-14	CIM30-A12ICV	CIM30A-A14-FV

# Inline Check Valve

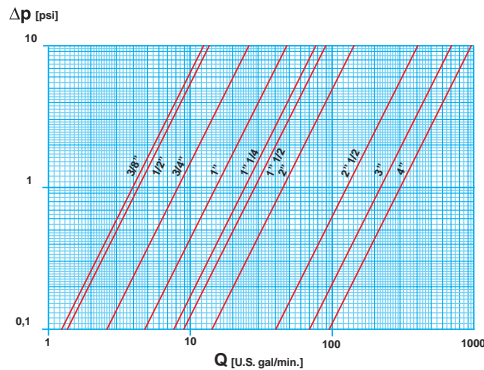
**cim 30.1**

FIPT x FIPT • **cim30A.1** Brass Inline Check Valve with Filtering "Foot"

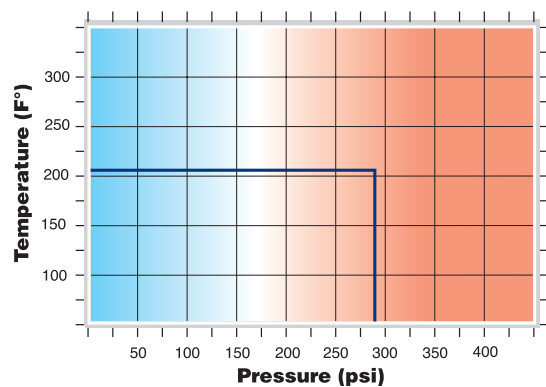


Size	3/8"	1/2"	3/4"	1"	1-1/4"	1-1/2"	2"	2-1/2"	3"	4"
B	2-3/16"	2-3/16"	2-7/16"	2-13/16"	3-1/4"	3-3/4"	4-5/16"	5-1/16"	5-9/16"	5-3/4"
B	55mm	55mm	62mm	72mm	82mm	96mm	109mm	129mm	141mm	146mm
B 30A.1	3-3/8"	3-3/8"	4-5/16"	4-3/4"	5-1/2"	6-7/16"	7-9/16"	8-7/16"	9-1/2"	10-3/16"
B 30A.1	98mm	98mm	110mm	120mm	140mm	163mm	192mm	214mm	242mm	259mm
C	1-3/8"	1-3/8"	1-5/8"	2"	2-3/8"	2-3/4"	3-1/4"	4-1/16"	4-13/16"	6-5/16"
C	35mm	35mm	42mm	50mm	60mm	70mm	83mm	103mm	123mm	160mm
D	3/8"	1/2"	1/2"	9/16"	5/8"	11/16"	13/16"	1"	1"	1"
D	10mm	12mm	13mm	14mm	16mm	18mm	20mm	25mm	25mm	26mm
CH	1"	1"	1-1/2"	1-9/16"	1-7/8"	2-3/16"	2-5/8"	3-7/16"	3-15/16"	4-13/16"
CH	25mm	25mm	31mm	39mm	48mm	55mm	67mm	88mm	100mm	123mm
Pounds	0.39	0.34	0.53	0.82	1.06	2.02	2.91	5.52	7.69	11.33
Grams	175	155	240	370	480	915	1320	2505	3490	5140

## FLOW AND PRESSURE DROP



## PRESSURE/TEMPERATURE RATINGS



## CV

CV: Capacity in "U.S. gal/min" at pressure drop of "1 PSI"

Element: Water - Temperature: 59.9° F

30.1 SIZE	3/8"	1/2"	3/4"	1"	1-1/4"	1-1/2"	2"	2-1/2"	3"	4"
CV	3.93	4.3	8.1	15	24.3	28.9	44	124.9	222.1	305.4

Working Pressure: 290 PSI

Max. Operating Temperature: Working Limit for Fluids 14° F – 212° F

Test Pressures: According to ISO 5208