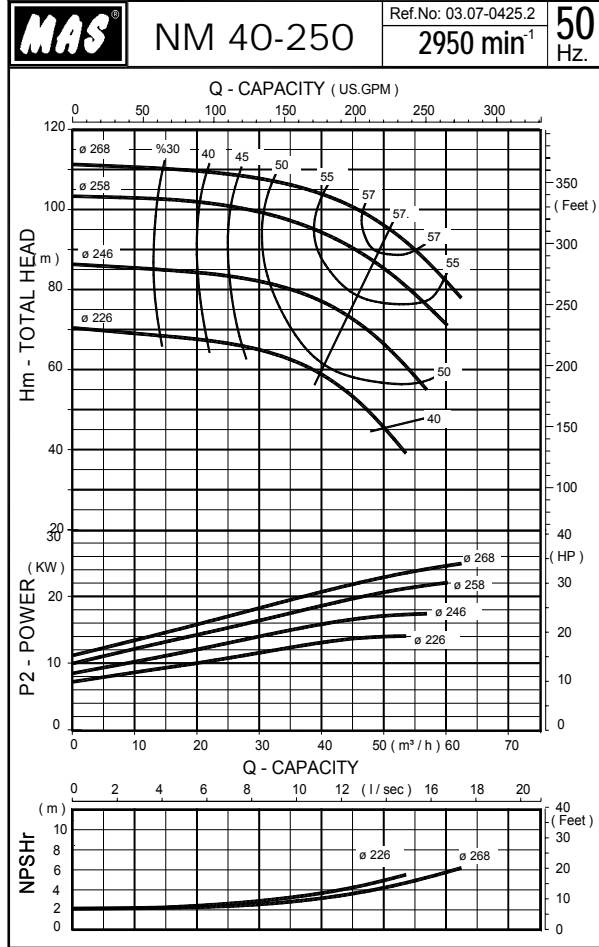
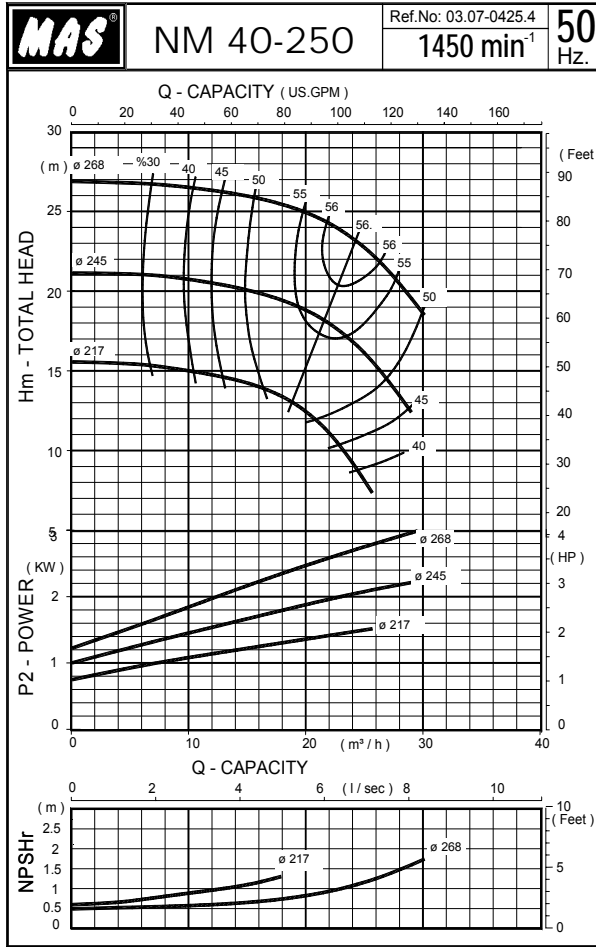
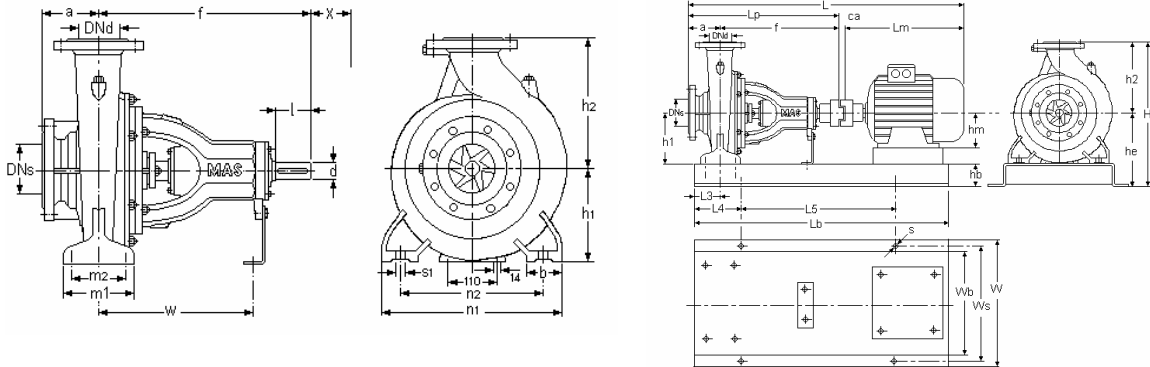


NM End Suction Centrifugal Pumps

Performance Curves 50 Hz



The Performance Curves 50 Hz are based on the kinematic viscosity 1 mm²/s and density 1g/cm³. Tolerances are acc. to ISO 9906 Annex A.



Pump size	Flanges		Length		Height		Mounting details						Shaft end		(*) X mm	Weight kg	
	DNn mm	DNd mm	a mm	f mm	h1 mm	h2 mm	b mm	m1 mm	m2 mm	n1 mm	n2 mm	s1 mm	W mm	d mm			l mm
40-250	65	40	100	360	180	225	65	125	95	320	250	M12	260	24	50	75	54

	MOTOR			PUMP		GENERAL				BASEPLATE									
	KW	IEC	Lm mm	Hm mm	Lp mm	Ca mm	L mm	W mm	H mm	Lb mm	Wb mm	Hb mm	He mm	L3 mm	L4 mm	L5 mm	Ws mm	S mm	Plate No
40-250 4pole 50Hz	1,5	90L	325	90	460	20	805	450	485	710	340	80	260	72	115	480	400	24	5,02
	2,2	100L	365	100	460	20	845	450	485	800	340	80	260	72	130	540	400	24	5,03
	3	100L	365	100	460	20	845	450	485	800	340	80	260	72	130	540	400	24	5,03
40-250 2pole 50Hz	11	160M	594	160	460	26	1080	450	485	1000	340	80	260	72	170	660	400	24	5,05
	15	160M	594	160	460	26	1080	450	485	1000	340	80	260	72	170	660	400	24	5,05
	18,5	160L	638	160	460	30	1128	450	485	1000	340	80	260	72	170	660	400	24	5,05
	22	180M	654	180	460	30	1144	490	485	1000	380	80	260	72	170	660	440	24	6,05
30	200L	747	200	460	30	1237	540	505	1120	430	80	280	72	190	740	490	24	7,06	

MAS Pompa reserves the right to change specifications without prior notice.